



Mini BOSA-LC 1.25Gbps

Features:

- 1x0nm FP laser
- Designed for short or long reach application
- -40°C to +85°C operation
- High reliability
- Single +3.3V power Supply

Applications:

- Optical communication systems

Absolute Maximum Ratings:

Parameter	Symbol	Min	Max.	Unit
LD Reverse Voltage	$V_{r(LD)}$	--	2	V
LD Forward Current	$I_{f(LD)}$	--	120	mA
PD Forward Current	$I_{f(PD)}$	--	2	mA
PD Reverse Voltage	$V_{r(PD)}$	--	15	V
Operating Temperature	Top	-40	85	°C
Storage Temperature	Tstg	-40	85	°C
Lead Solder Temperature	--	--	260	°C
Lead Soldering Time	--	--	10	s

Transmitter Optical& Electrical Characteristics (T=25°C):

Parameter	Symbol	Test Condition	Min	Typ	Max	Unit
Threshold Current	Ith	--	--	--	15	mA
Forward Voltage	Vf	Iop=Ith+20mA	--	--	1.6	V
Monitor Current(MPD)	Im	Iop=Ith+20mA	100	--	1000	uA
Dark Current(MPD)	Id	Vr=5V	--	--	100	nA
Optical Output Power	Po	Iop=Ith+20mA	0.25	--	0.65	mW
			0.4	--	0.8	mW
Slope efficiency	SE	Iop=Ith+20mA	0.012	--	0.032	mW/mA
			0.02	--	0.04	mW/mA
Central Wavelength	λ_c	Iop=Ith+20mA	1290	1310	1330	nm
Spectral Width ,RMS	$\Delta\lambda$	Iop=Ith+20mA	--	--	3	nm
Rise/Fall Time	Tr/Tf	20~80%	--	--	200	ps
Tracking Error	TE	, -40°C~85°C	-1.5	--	+1.5	dB

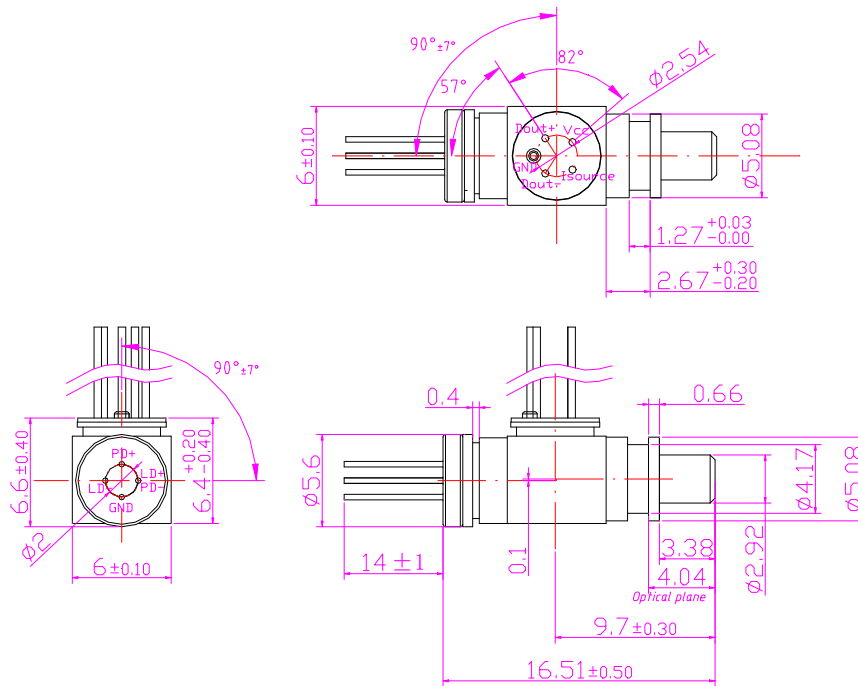
Receiver Optical/Electrical Characteristics:



Parameter	Symbol	Test Condition	Min	Typ	Max	Unit
Operating Voltage	Vcc	--	3.0	3.3	3.6	V
Supply current	Icc	Vcc=3.3V	23	28	35	mA
Operating Wavelength	λc	--	$\lambda-30$	λc	$\lambda+30$	nm
RSSI Offset Current	Id	Vcc=3.3V	--	--	100	nA
Sensitivity	Sen	1.25Gbps, PRBS7,	--	--	-24	dBm
Overload	OL	ER=10dB, BER=10E-10	0	--	--	dBm

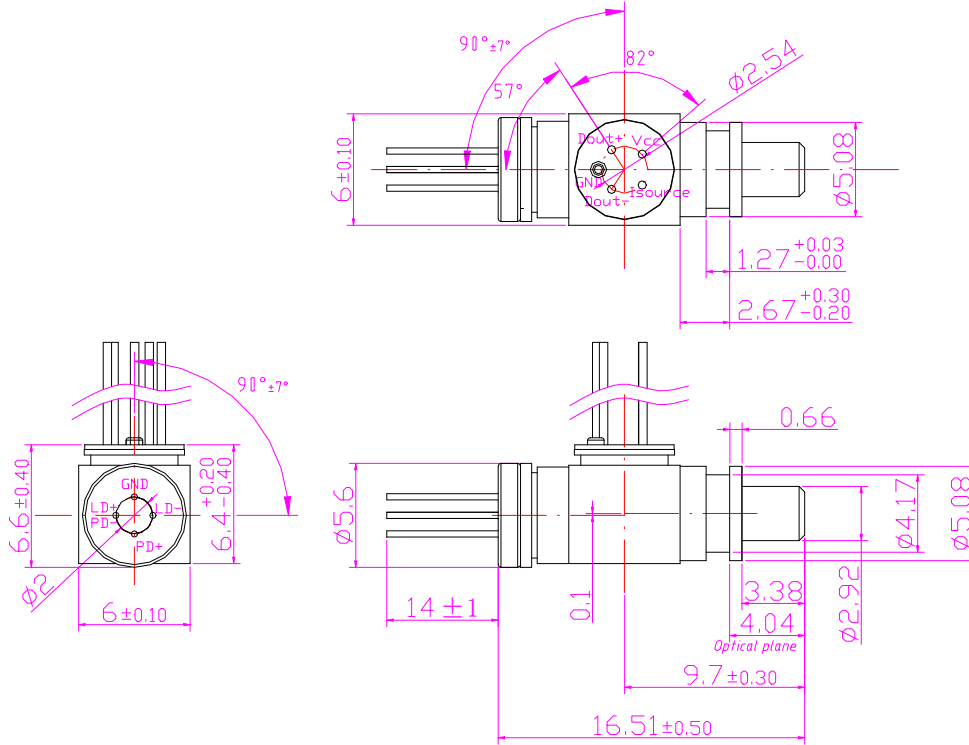
Note: $\lambda c=1490\text{nm}, 1550\text{nm}$

TYPE A





TYPE B



Order Information:

Mini BOSA-LC 1.25Mbps

<u>TX Central Wavelength</u> 1310FP	<u>RX Central Wavelength</u> 1490 nm 1550 nm	<u>Optical Output Power</u> P1:Po=0.25~0.65mW P2:Po=0.4~0.8mW	<u>Outline Dimension</u> A:TYPE A B:TYPE B
--	--	---	--

Statement:

SAN-U owns the authority for final explanation of all information contained in this document, which is subject to change without notice. All the information was obtained in particular environments; and SAN-U will not be responsible for the performance of the customers' actual operating environments. All information contained is only for the users' reference and shall not be considered as warranted characteristics. SAN-U will not be liable for damages arising directly or indirectly which from any use of the information contained in this document.

Contact Information:

Address: N501-505 Weiye Bldg., Xiamen Pioneering Park For Overseas Chinese Scholars, Xiamen, Fujian, China

Tel: +86-592-3898601, 3898608, 5318000

Fax: +86-592-5703588

Email: sales@san-u.com <http://www.san-u.com>