



## PD60-TO25-FW-2pin Series

### Features:

- Low Voltage Operation
- Low Capacitance and High Speed with a PIN Structure
- Low Dark Current
- Excellent Stability

### Applications:

- Digital and Analog Optical Communication
- Optical LAN
- OTDR

### Specifications:

#### Absolute Maximum Ratings:

Parameter	Symbol	Min.	Max.	Unit
Reverse Voltage	$V_R$	—	20	V
Forward Current	$I_F$	—	0.5	mA
Max. Optical Input Power	$P_{MAX}$	—	3	mW
Operating Temperature	$T_{op}$	-40	+85	°C
Storage Temperature	$T_{stg}$	-40	+85	°C
Lead Solder Temperature	—	—	260	°C
Lead Solder Time	—	—	10	s

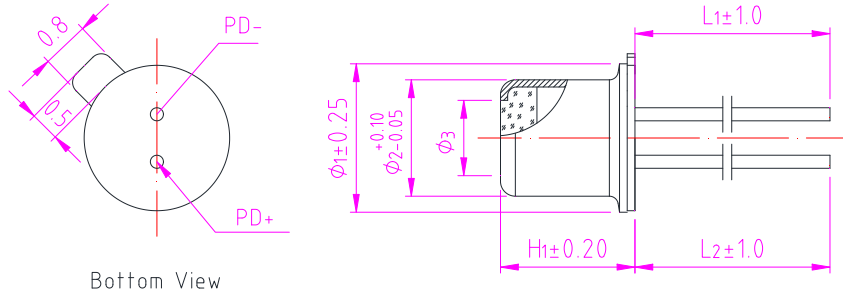
#### Characteristics: ( $T_a=25^{\circ}\text{C}$ unless otherwise noted)

Parameter	Symbol	Test Conditions	Min.	Typ.	Max.	Unit	
Active Diameter	D	—	—	60	—	$\mu\text{m}$	
Bandwidth	BW	$V_R=5\text{V}$	3	—	—	GHz	
Responsivity	@1310nm	R	$V_R=5\text{V}$	0.8	0.9	—	A/W
	@1550nm	R	$V_R=5\text{V}$	0.9	0.95	—	A/W
Dark Current	ID	$V_R=5\text{V}$	—	0.2	1.0	nA	
Chip Capacitance	$C_{chip}$	$V_R=5\text{V}, f=1\text{MHz}$	—	0.45	0.5	pF	
Optical Spectrum Response Range	$\lambda$	—	1100	—	1620	nm	
Operating Voltage	V	—	—	-5	—	V	



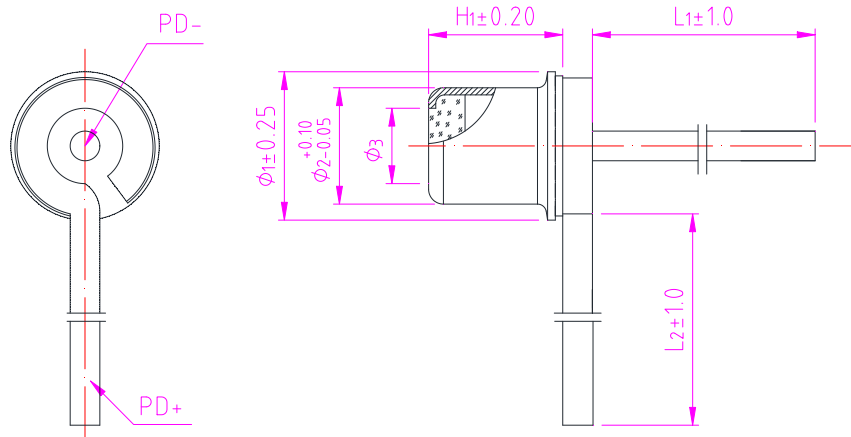
### Mechanical Dimension and Pin Assignment:

#### Type A



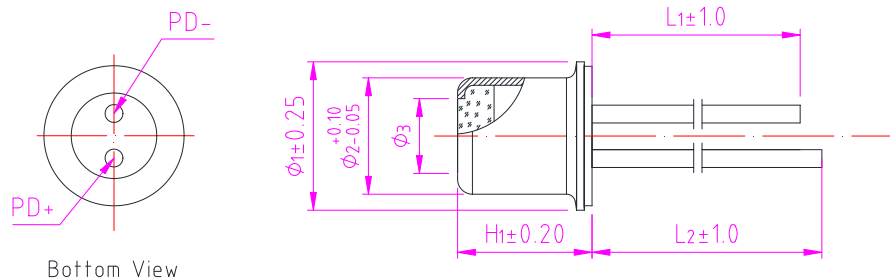
Bottom View

#### Type B



Bottom View

#### Type C



Bottom View



### Standard Product List:

Product name	$\Phi_1$ (mm)	$\Phi_2$ (mm)	$\Phi_3$ (mm)	$H_1$ (mm)	$L_1$ (mm)	$L_2$ (mm)	Received light form
PD60-TO25-FW-2pin-A	2.5	1.96	1.27	2.26	12.7	12.7	Parallel light &
PD60-TO25-FW-2pin-B	2.5	1.96	1.27	2.26	14.0	14.0	
PD60-TO25-FW-2pin-C	2.5	1.96	1.27	2.26	15.52	17.52	Divergent light

- Standard and custom designs to suit your systems.

### Order Information:

PD60 -  -  -  -

<u>Header Type:</u> TO25	<u>Cap Type:</u> FW: Flat window	<u>Numbers of Pin:</u> 2pin	<u>Pin Assignment:</u> A: Type A B: Type B C: Type C
-----------------------------	-------------------------------------	--------------------------------	---

### Statement:

SAN-U owns the authority for final explanation of all information contained in this document, which is subject to change without notice. All the information was obtained in particular environments; and SAN-U will not be responsible for the performance of the customers' actual operating environments. All information contained is only for the users' reference and shall not be considered as warranted characteristics. SAN-U will not be liable for damages arising directly or indirectly which from any use of the information contained in this document.

### Contact Information:

Address: N501-505 Weiye Bldg., Xiamen Pioneering Park For Overseas Chinese Scholars, Xiamen, Fujian, China

Tel: +86-592-3898601, 3898608, 5318000

Fax: +86-592-5703588

Email: sales@san-u.com

<http://www.san-u.com>