



ROSA-LC 25Gbps 850nm with Flex

Features:

- Data rates up to 25Gbps.
- 850nm multimode.
- -40°C to 85°C Operation.
- Differential Output.
- Received signal strength indicator(RSSI).
- Single +3.3V Power Supply.
- LC plastic barrel, with flexible circuit attached.

Applications:

- High speed Data Communication.

Specifications:

Absolute Maximum Ratings

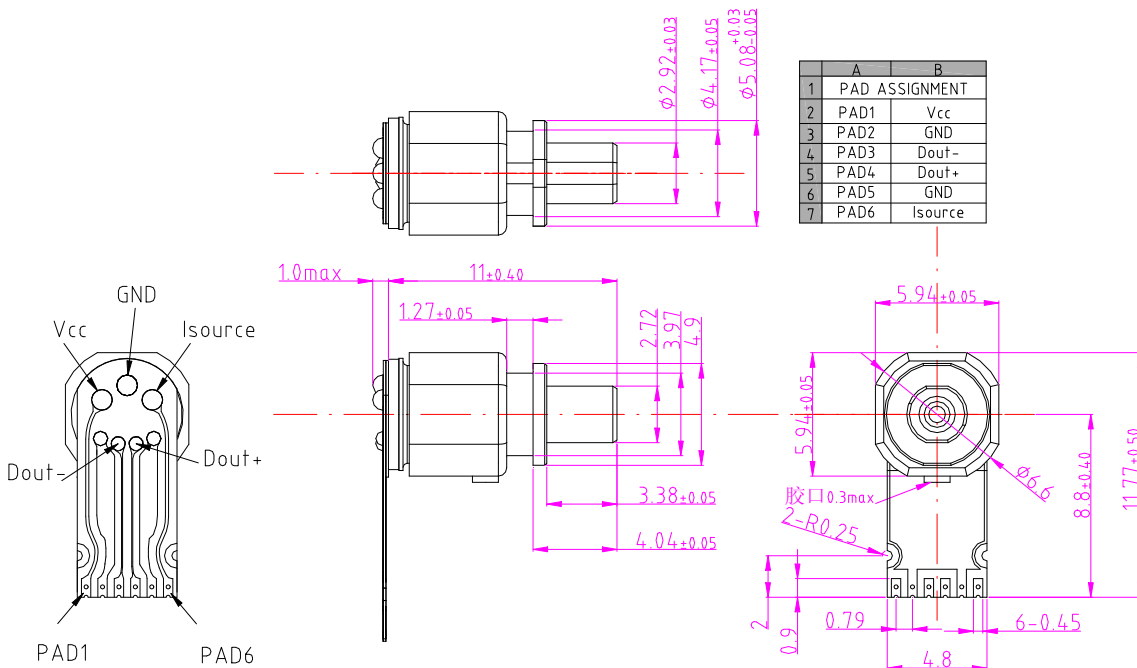
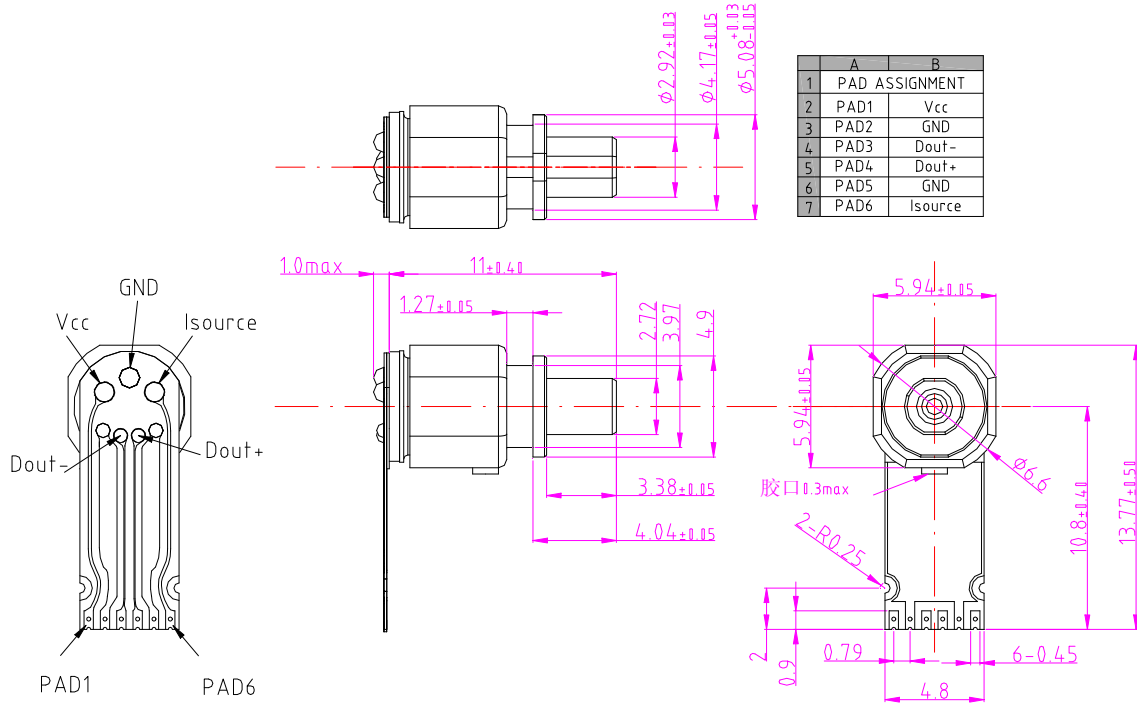
Parameter	Symbol	Min	Max.	Unit
Input optical power	Pin	--	5	dBm
Operating Temperature	Top	-40	85	°C
Storage Temperature	Tstg	-40	85	°C
Lead Solder Temperature	--	--	260	°C
Lead Soldering Time	--	--	10	s

Specifications (T=25°C, unless otherwise noted)

Parameter	Symbol	Test Conditions	Min.	Typ.	Max.	Unit
Supply Voltage	Vcc	--	2.97	3.3	3.63	V
Supply Current	Icc	Vcc=3.3V	--	26	33	mA
Operating Wavelength	λ_c	Vcc=3.3V	820	850	860	nm
RSSI Offset Current	Id	Vcc=3.3V	--	--	100	nA
Bandwidth	BW	-3dB	--	21	--	GHz
Overload	OL	Vcc=3.3V	-3	--	--	dBm
Sensitivity	Sen	25.78Gbps, PRBS31, 850nm, ER=4dB, BER=10E-12	--	--	-9	dBm



Mechanical Dimension and Pin Assignment:

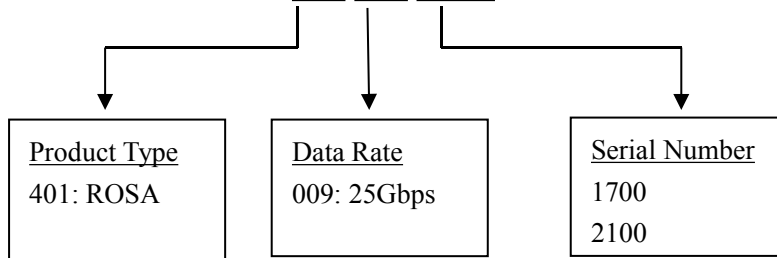




Order Information:

SAN-U P/N:

401 009 XX00



Statement:

SAN-U owns the authority for final explanation of all information contained in this document, which is subject to change without notice. All the information was obtained in particular environments; and SAN-U will not be responsible for the performance of the customers' actual operating environments. All information contained is only for the users' reference and shall not be considered as warranted characteristics. SAN-U will not be liable for damages arising directly or indirectly which from any use of the information contained in this document.

Contact Information:

Address: N501-505 Weiye Bldg., Xiamen Pioneering Park For Overseas Chinese Scholars, Xiamen, Fujian, China

Tel: +86-592-3898601, 3898608, 5318000

Fax: +86-592-5703588

Email: sales@san-u.com

<http://www.san-u.com>